

"EVOLUTION LINE"



TCH-R800

TRACKED MINIDUMPER

GENERAL FEATURES

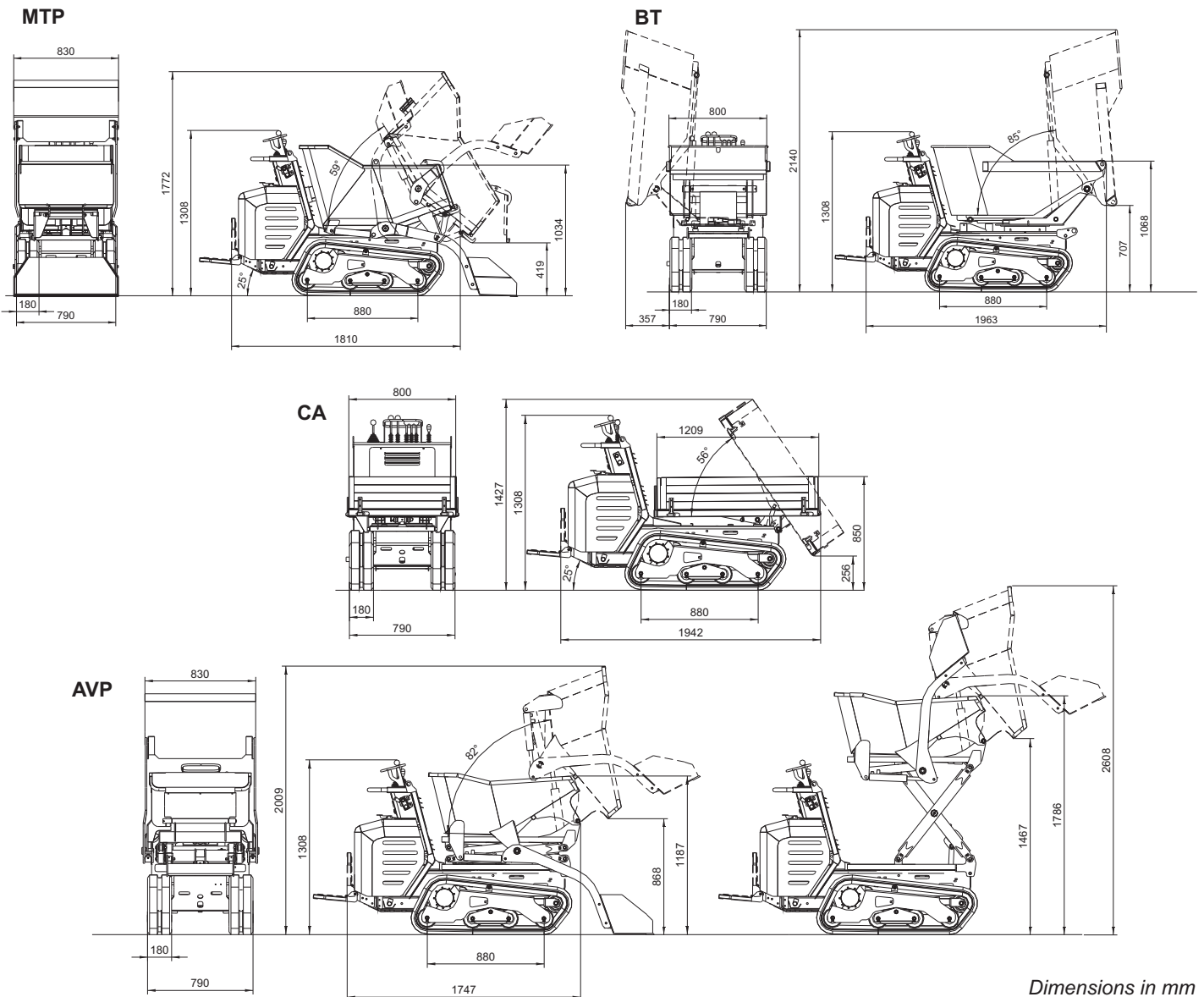
- Tracked undercarriage with hydrostatic transmission and oscillating rollers in the center of the track for overcoming obstacles.
- The layout of the rubber track provides a wide area and a low ground pressure, high stability and an excellent driving comfort in all conditions of use.
- 13 hp water-cooled Kubota Diesel engine or 16 hp Briggs&Stratton petrol engine and electric start.
- Hydrostatic transmission with two piston pumps with variable displacement and two orbital motors. Steering by the rotation of the tracks.
- The selfloading shovel of 65 lit. of capacity (option) allows an optimal loading of the body.
- Available with dumping skip with 180° swiveling discharge.
- Hydraulic power take off (P.T.O.) double-effect with max delivery 28 l/min and pressure at 155 bar (optional).
- Standard bonnet and operator platform.

TECHNICAL DATA	MTP	CA	BT	AVP	
- Operational weight (without operator)	kg	630	540	670	770
- Load capacity: - heaped (SAE Standard)	m ³	0,41	0,30	0,45	0,28
- flat: sand	m ³	0,36	0,21	0,36	0,24
- liquid	m ³	0,10	0,21	0,25	0,20
- Max payload	kg	800			

TECHNICAL DATA

- Diesel Engine		Kubota Z482
- Displacement	cm ³	479
- Cylindres	n°	2
- Max. power at maximum speed	kW/Hp	9.6 / 13
- Maximum engine rotation	rpm	3600
- Max. torque at 2600 rpm	daNm	3.0
- Petrol Engine		Briggs&Stratton Vanguard 16HP V-Twin
- Displacement	cm ³	450
- Cylindres	n°	2
- Max. power at maximum speed	kW/Hp	12 / 16
- Maximum engine rotation	rpm	3600
- Max. torque at 3200 rpm	daNm	3.3
- Cooling	type	water
- Battery		12V - 55 Ah
- Piston pumps with variable displacement for the transmission		2 x 29 lt / min at 250 bar
- Gear pump for the services		1 x 21 lt / min at 160 bar
- Track width	mm	180
- Separate tracks steering system		
- Track tensioning	type	spring + screw
- Specific ground pressure:		
- empty / loaded	kg/cm ²	0.18 / 0.48
- Max speed	km/h	6.0
- Max gradient capacity fully load	%	62
- Fuel tank capacity	lt	9.7
- Hydraulic oil tank capacity	lt	22.1

OVERALL DIMENSIONS



Dimensions in mm

Data, features and pictures are not binding and may be altered without any prior notice.



Eastern Farm Machinery Ltd., 10 Nicholas Beaver Rd., Puslinch, ON. N0B 2J0, T5197632400, F5197633930, sales@easternfarmmachinery.com

MESSERSI S.p.A.

Via Arcevese, 44 - 60010 CASINE di OSTRÀ (AN) Italy Tel. +39.071.688771 r.a. - Fax +39.071.688586
Web: www.messersi.it E-mail: export@messersi.it

